

# C-TRACK™ 1480



## THE C-Track 1480 DUAL-CAMERA SENSOR

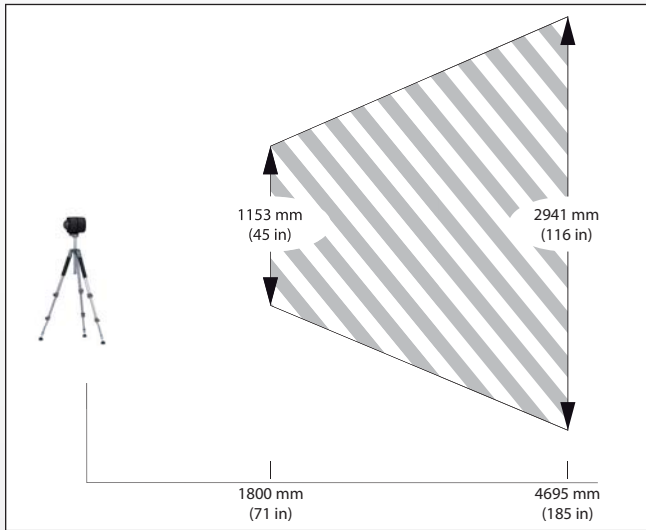
THE C-Track DUAL-CAMERA SENSOR IS FITTED WITH HIGH QUALITY OPTICS AND SPECIAL LIGHTING, ENABLING IT TO MEASURE ALL REFLECTORS WITHIN ITS OPERATING SPACE. IN ADDITION TO TRACKING THE WHOLE SYSTEM'S REFERENCE MODEL, THE C-Track ENSURES THE EXACT LOCALIZATION OF THE HandyPROBE, PERFORMS CONTINUOUS IMAGE ACQUISITION AND TRANSMISSION, LIGHTING OF REFLECTORS, WIRELESS COMMUNICATION WITH THE HandyPROBE STYLUS, MANAGEMENT OF THE EXCHANGES WITH THE COMPUTER AND STORAGE OF THE SENSOR PARAMETERS.

### C-Track 1480 | TECHNICAL SPECIFICATIONS

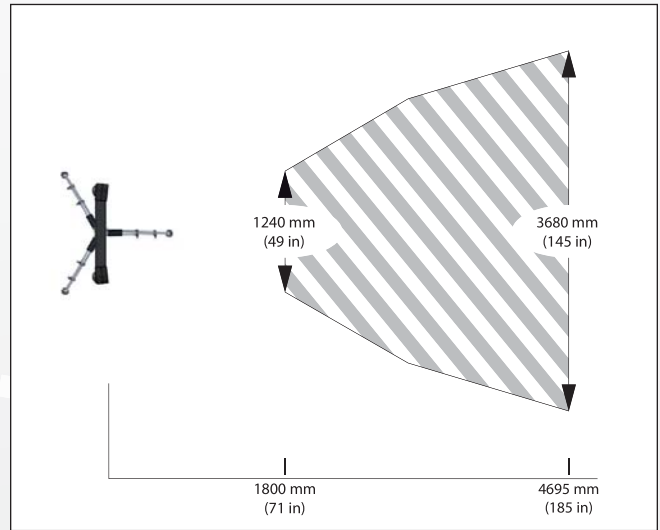
Weight	5.5 kg (12 lbs)
Dimensions	1089 x 174 x 119 mm (43 x 6.9 x 4.7 in)
Single point performance*	95 µm (0.0037 in)
Volumetric performance *	170 µm (0.0067 in)
Measurement speed	30 points/s

Operating temperature range	15-40 °C (59-104 °F)
Operating humidity range (non-condensing)	10-90%
Universal power supply	100-240 VAC/50-60Hz
Certifications	EN 301 489-1, EN 301 489-3, EN 300 220-1

\*Test methods in compliance with the ASME B89.4.22 standard



1. PROFILE VIEW



2. TOP VIEW



3. ISOMETRIC VIEW

 170 μm (0.0067 in)

**Head Office**

5825, rue Saint-Georges  
Lévis (Québec) G6V 4L2 Canada  
T. 1 418 833.4446  
F. 1 418 833.9588

Authorized distributor